



Million Best International Mechanical (Shanghai) Co., Ltd.

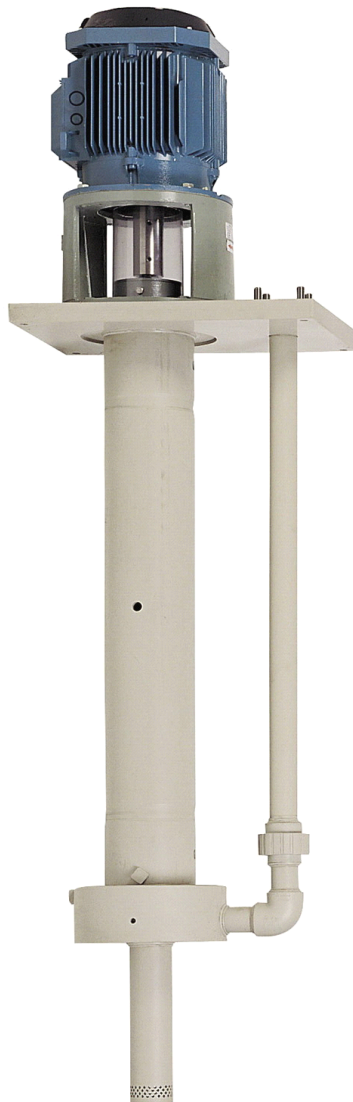
No.106 Shang Yu Road, Xinbang Town, Songjiang District, Shanghai,China

Tel:86-21-5789-9277 Fax:86-21-5789-9276

Email: baihongint@gmail.com

Website: www.baihongint.com

MMCYP Vertical Pump In Plastic



MMCYP Vertical Pump In Plastic

Application:

Vertical centrifugal pumps of type MMCYP have been developed specially for discharging aggressive, lightly contaminated liquids such as acids, alkalis and chemical effluents.

Salient Features:

The closed impeller design using long axial throttle gaps permits submersion depths down to 3 M at operating temperatures of 110 °C.

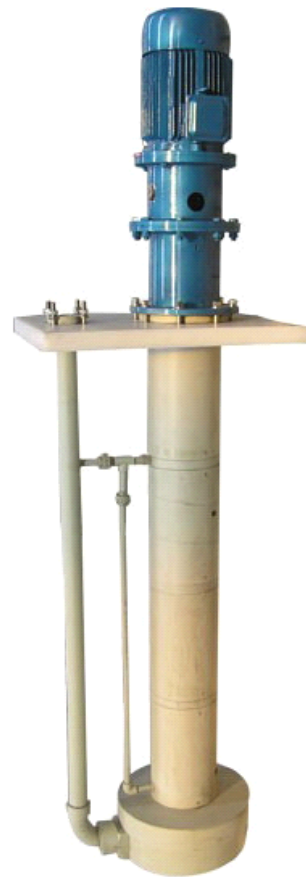
Quiet and steady running of the shaft is guaranteed through the use of a submerged sleeve bearing made of carbon, ceramic or silicon carbide and a selfaligning roller bearing which will not be in contact with the pumped liquid.

- 1.All parts in contact with the liquid are made of strong, solid plastic. The heavily constructed shaft has been given a nonporous plastic coating.
- 2.Suspension and discharge pipings are separate and solidly constructed.
- 3.No metal parts are in direct contact with the pumped medium.
- 4.Mounting flange up to pump size 80/200 respectively Siemens motor size 160 made of solid plastic. Use of rubber-lined steel for larger sizes.
- 5.Motor and pump shaft are connected by coupling with flexible elements.
- 6.Drive by means of Siemens standard motors.

Submersion Depth:

The MMCYP is available with lengths of 500, 1000, 1500, 1750 mm; for designs using intermediate bearings in sizes 2000, 2500 and 3000 mm.

Extension of submersion depths within given limits as well as adjustment to



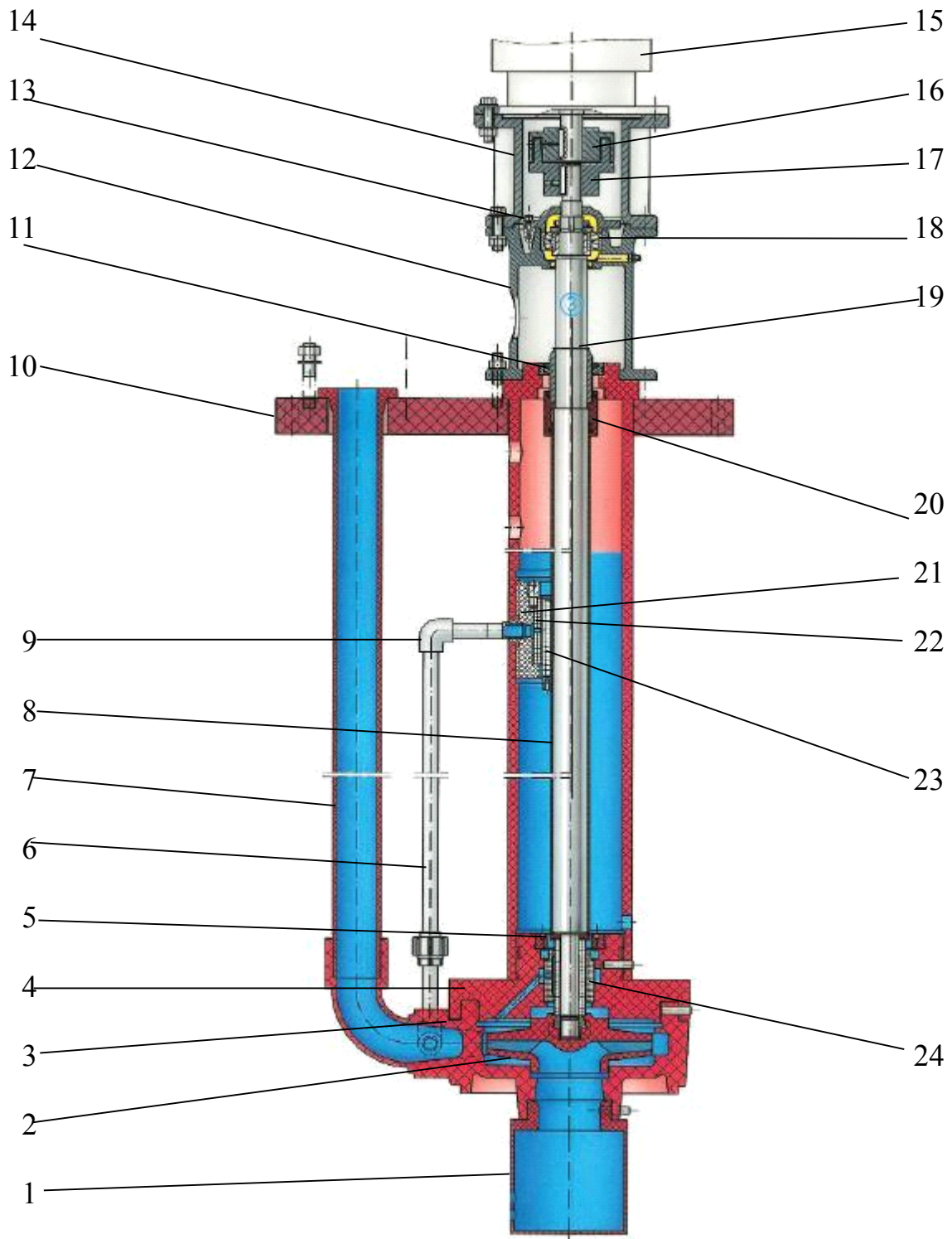
intermediate lengths is made possible by connecting a corresponding suction piping to provide the exact setting.

Materials:

Parts in contact with the liquid are made of the following materials:

- Polypropylene PP
 - Polyvinylidene fluoride PVDF
 - Hydraulic parts (impeller, volute casing, casing cover) also available in Polyethylene or high density PE
- For special requirements designs without lower sleeve bearing are possible

Sectional Drawing:



Main Parts List:

Part-No.	Designation
1	Suction Strainer
2	Impeller
3	Casting
4	Casting Cover
5	Nut
6	Lubrication Pipe
7	Delivery Pipe
8	Shaft
9	Elbow
10	Sole Plate
11	Radial Shaft Sealing Ring
12	Bearing Bracket
13	Bearing Cover
14	Motor Stool
15	Motor
16	Motor Coupling
17	Pump Coupling
18	Roller Bearing
19	Circlip
20	Interstage Sleeve
21	Intermediate Bearing
22	Bearing Bushing
23	Shaft Sleeve
24	Protection Shaft Sleeve

MMCYP Vertical Pump In Plastic Performace

Model	Speed (r/min)	Fowrate (m ³ /h)	Head (m)	Eff. (%)	Power (KW)	Submerged Depth (m)
MMCYP40-25-125	2900	6	18	44	1.5	0.5~2.5
MMCYP40-25-160	2900	6	30	43	2.2	0.5~2.5
MMCYP50-32-125	2900	10	18	43	3	0.5~2.5
MMCYP50-32-160	2900	10	30	44	4	0.5~2.5
MMCYP50-32-200	2900	10	45	48	7.5	0.5~2.5
	1450	5	12	47	1.5	0.5~2.5
MMCYP65-50-125	2900	20	17	49	4	0.5~2.5
MMCYP65-50-160	2900	20	30	48	7.5	0.5~2.5
MMCYP65-40-200	2900	20	45	50	11	0.5~2.5
	1450	10	12.5	52	3	0.5~2.5
MMCYP65-40-250	1450	10	20	51	4	0.5~2.5
MMCYP80-65-125	2900	45	18	51	7.5	0.5~2.5
MMCYP80-65-160	2900	45	30	50	11	0.5~2.5
MMCYP80-50-200	2900	45	45	51	18.5	0.5~2.5
	1450	20	10	52	4	0.5~2.5
MMCYP80-50-250	1450	20	18	51	5.5	0.5~2.5
MMCYP80-50-315	1450	20	30	49	7.5	0.5~2.5
MMCYP125-80-200	2900	200	45	50	55	0.5~2.5
	1450	80	10	50	7.5	0.5~2.5